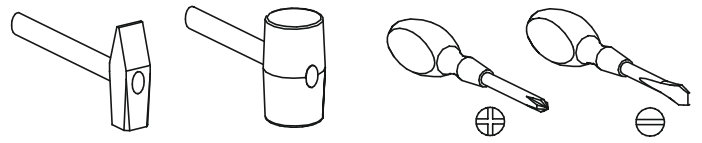
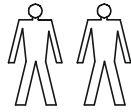
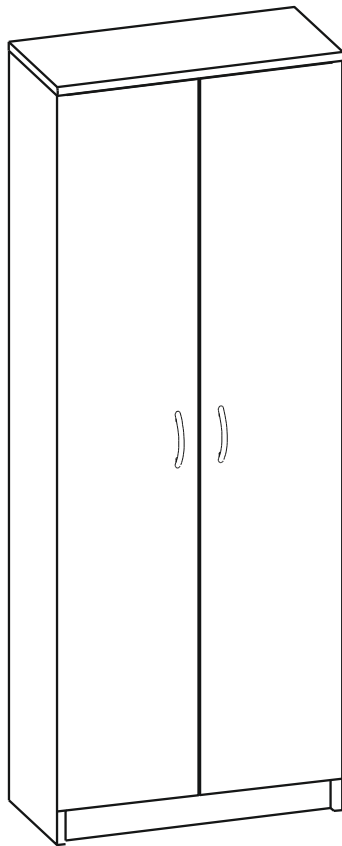



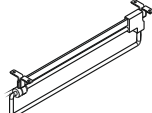


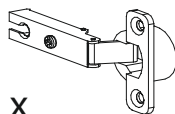




60 min

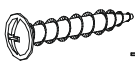


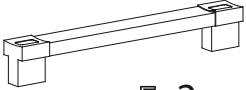
ASTER




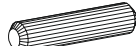
 M2 - 1 x	 N - 1 x
 L - 18 x 4 x 16 mm	 K - 6 x
 D - 6 x	 U - 4 x

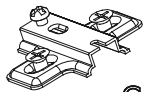
 S - 6 x

 J - 4x 4 x 30 mm

 E - 2x
--

 F - 40 x

 B - 16 x
--

 C - 6 x

